

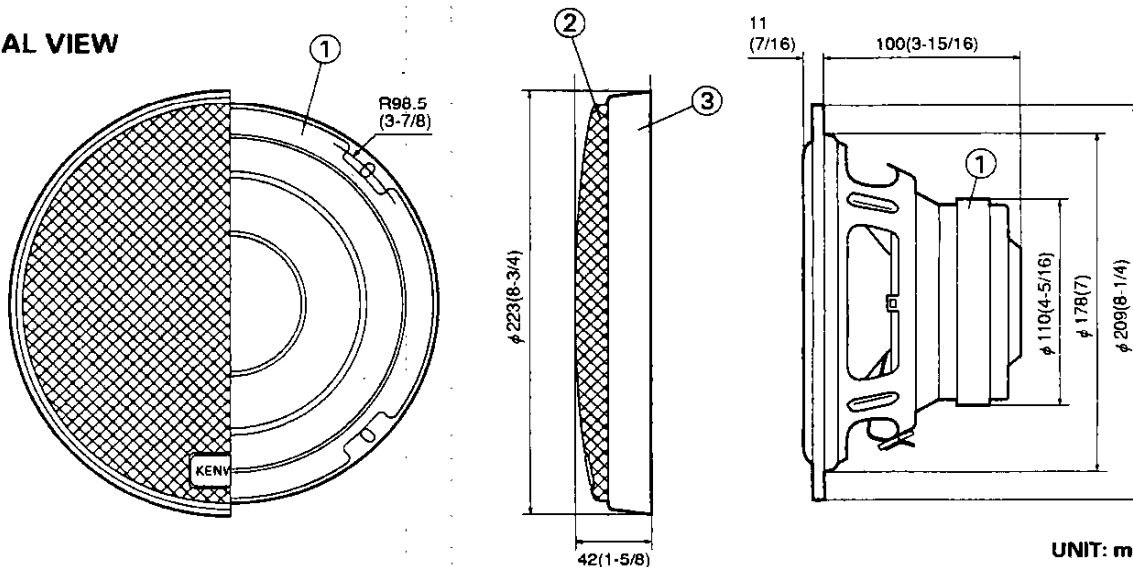
# KFC-W2001

## SERVICE MANUAL

# KENWOOD

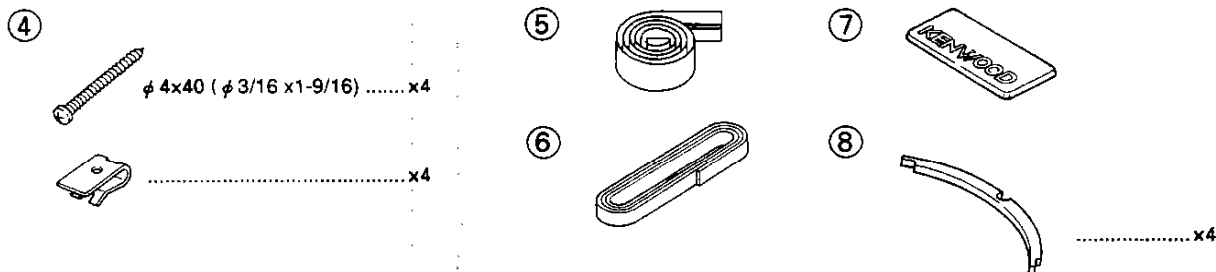
© 1993-10 PRINTED IN JAPAN  
B51-6640-00 (4) 1705

### EXTERNAL VIEW



UNIT: mm (inch)

### PARTS INCLUDED



### SPECIFICATIONS

Woofer ..... 200 mm(8 in) Injection PP Cone Type  
 Impedance ..... 4 ohms  
 Peak Input Power ..... 300 Watts  
 Maximum Input Power ..... 200 Watts  
 Rated Input Power ..... 100 Watts  
 Sensitivity ..... 91 dB/W at 1 m  
 Frequency Response ..... 20 Hz~6,000 Hz  
 Resonant Frequency ..... 40 Hz  
 Recommended Crossover Point ..... 80 Hz~800 Hz  
 Dimensions ..... Width: 223 mm (8-3/4 in)  
 Height: 223 mm (8-3/4 in)  
 Depth: 142 mm (5-9/16 in)  
 Mounting Depth: 100 mm (4 in)  
 Net Weight (PC) W/GR ..... 2.5 kg (5.5 lb)  
 Weight of Magnet (Woofer) ..... 580 g (20.4 oz)

(KENWOOD follows a policy of continuous advancements in development. For this reason specifications may be changed without notice.)

### PARTS LIST

★ New parts  
Parts without Parts No. are not supplied.

Ref. No.	New Parts	Parts No.	Description
①	★	T10-0624-08	SPEAKER
②		F09-0985-08	PROTECTOR
③		B06-0437-08	GRILLE
④	★	N99-1269-08	SCREW SET
⑤		J69-0111-08	BUTYL RUBBER
⑥		G13-1094-08	SPACER
⑦		B43-0867-08	BADGE
⑧	★	J19-3965-08	GASKET